

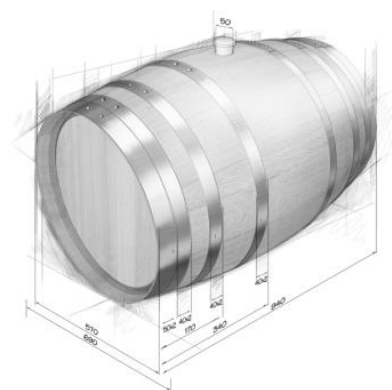
FORM INQUIRING ABOUT THE PRICES OF DYNAMIS BARRELS

Please, enter the data in the columns indicated in blue, and weshall return the form to the barrel prices!

Barrel type, L, age of staves	Quantity / pc.	Toastinglevel	Buy the planned date	Price per barrel	Winery logo (X)	Total prices

Company name:	
Delivery address:	
Contact mail:	
VAT No:	
Notice:	

Date:



.....
Signatory

Send to the following e-mail address: erika.horcsik@dynamis-hordo.hu